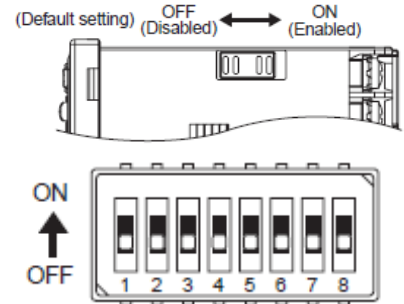
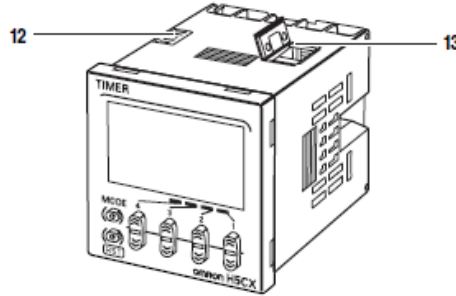
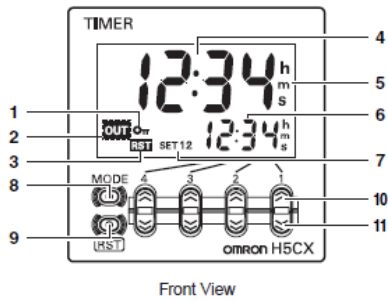


9.2 SETTING THE MPK-D-XXXX TIMER



1. Key Protection Indicator
2. Control Output Indicator
3. Reset Indicator
4. Present Value
5. Time Unit Indicators
6. Set Value Display
7. Set Value 1, 2 Indicator
8. Mode Key
9. Reset Key
10. Up Keys 1-4
11. Down Keys 1-4
12. Key Protect Switch
13. DIP Switches

Factory Default Settings:

Dip Switch 1:	ON	OFF Time range
Dip Switch 2:	ON	0:01min to 99.59min
Dip Switch 3:	OFF	On Time Range
Dip Switch 4:	ON	1 sec to 9999 sec
OFF Time:	60 minutes	
ON Time:	30 seconds	

Change Timer Settings:

Turn power to the MPK-D-XXXX off. Open the control panel and locate the Key Protect Switch (#12) and turn OFF. Turn power ON and Press Mode (#8) until 1 is displayed (#7). Press #10 or #11 to adjust the ON Time until the desired time is reached. Press Mode (#8) until 2 is displayed (#7). Press #10 or #11 to adjust the OFF Time until the desired time is reached. Turn #12 to ON to enable the Key Protection, and close the control panel.

If the ON or OFF time range is not the desired range, you will need to change the range. To change the range settings turn OFF the unit and open the control panel. Turn the Key Protect Switch (#12) OFF and adjust the DIP Switches (#13) based on the following chart to achieve desired time range. Turn power ON and Press Mode (#8) until 1 is displayed (#7). Press #10 or #11 to adjust the ON Time until the desired time is reached. Press Mode (#8) until 2 is displayed (#7). Press #10 or #11 to adjust the OFF Time until the desired time is reached. Turn #12 to ON to enable the Key Protection and close the control panel.

Pin 2	Pin 3	OFF Time Range	Pin 4	Pin 5	ON Time Range
OFF	OFF	0.01 s to 99.99 s	OFF	OFF	0.01 s to 99.99 s
ON	OFF	0.1s to 999.9 s	ON	OFF	0.1s to 999.9 s
OFF	ON	1 s to 9999 s	OFF	ON	1 s to 9999 s
ON	ON	0 min 01s to 99 min 59s	ON	ON	0 min 01s to 99 min 59s